

## VEICHI IOT human machine interface series

Model: **VI20-043S-F**

### Product overview

---

- High resolution, high brightness
- Two serial ports support RS232 / 485 / 422
- 1-way USB supports USB data storage and download
- USB power supply downloadable program
- Plastic shell, low cost, high reliability.
- Professional appearance design, high appearance value, practical downward outlet mode
- VI20studio configuration software, rich library, powerful function

### Product appearance

---

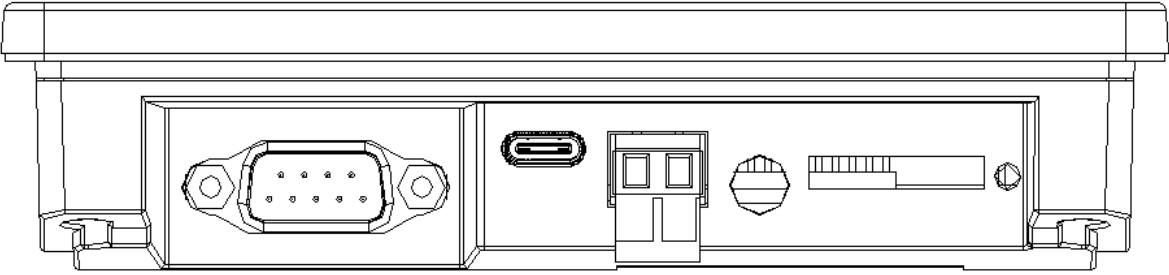
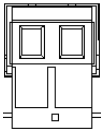
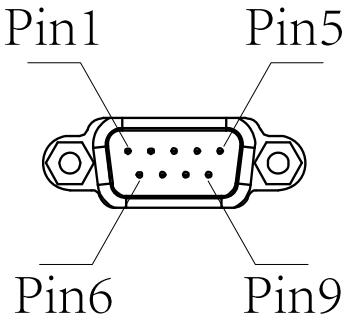



**Product specifications**

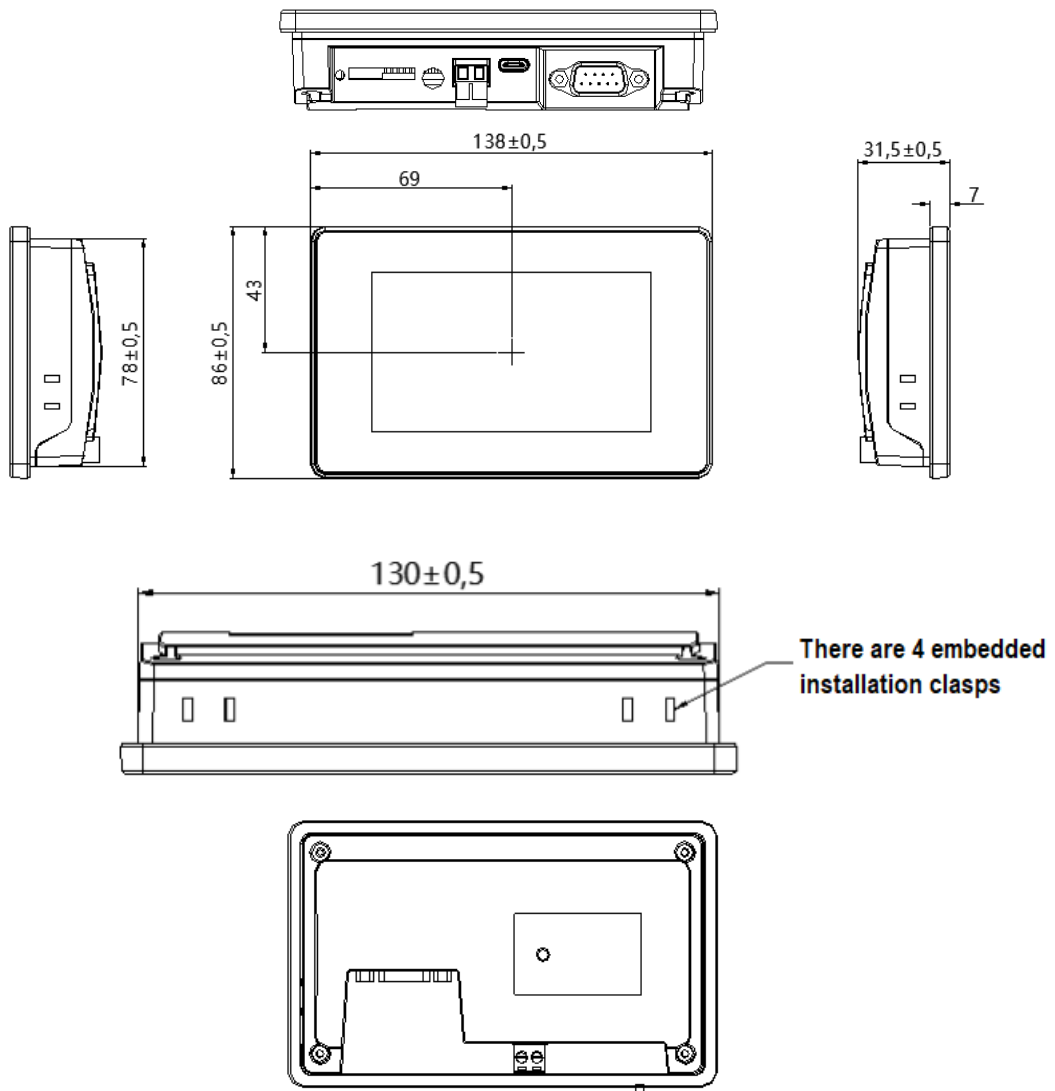
Hardware parameters	Display	4.3'16:9 TFT LCD screen
	Resolving power	800×480
	Color	16 bit
	Brightness	250 CD / m <sup>2</sup> (up to 275 CD / m <sup>2</sup> )
	Backlight	LED
	LCD life	50000 hours
	Touch screen	4-wire industrial resistance touch screen
	CPU	720MHz ARM
	Storage	64MB RAM+128MB Flash
	RTC	Yes
	Ethernet	No
	SD card	No
	USB port	1 type-C OTG interface
	Program download mode	USB Slave USB flash disk (adapter required)
	Serial communication port	COM1: RS232/RS485/RS422; COM3: RS232
LCD viewing angle (T/B/L/R)	80°/80°/80°/80°	
Electrical specifications	Rated power	< 2.5W
	Rated voltage	DC24 V, working range DC 9 V ~ 28 v
	Power protection	Lightning surge protection
	Power loss allowed	< 5mS
	CE & RoHS	According to the standards of en61000-6-2:2005 and en61000-6-4:2007, lightning surge ± 1kV, group pulse ± 2KV, electrostatic contact 4KV and air discharge 8Kv RoHS compliant
Environmental requirements	working temperature	0~50°C
	Storage temperature	-20~60°C
	ultraviolet-proof	Do not work in strong ultraviolet environment (such as direct sunlight)
	ambient humidity	10 ~ 90% RH (no condensing)
	Earthquake resistance	10 ~ 25Hz (2G / 30min in X, y and Z directions)
	Cooling mode	Natural air cooling
Mechanical index	Protection level	The front panel conforms to IP65 (installed with flat panel cabinet), and the rear shell conforms to IP20

	Mechanical structure	engineering plastic
	Opening size	132mm×80mm
	Overall dimensions	138mm×86mm×32mm
	Overall weight	About 300g

## Wiring definition

		
Power terminal (Pin1 ~ 1 from left to right)		
	Pin1	0V
	Pin2	DC24V
DB9 serial port terminal		
	Pin1	Rx-(B) (COM1 RS422/RS485-)
	Pin2	RxD (COM1 RS232)
	Pin3	TxD (COM1 RS232)
	Pin4	Tx- (COM1 RS422)
	Pin5	GND
	Pin6	Rx+(A) (COM1 RS422/RS485+)
	Pin7	RxD (COM3 RS232)
	Pin8	TxD (COM3 RS232)
	Pin9	Tx+ (COM1 RS422)
USB OTG (support master or slave)		
	USB Type C	Slave function: used to download program and debug
		Main port function: used to connect U disk, code scanning gun and other peripherals (type C and USB type a conversion cable are required)

**Size VI20-043S-F**



Embedded installation opening size  $132 \times 80$ mm