

VEICHI

VI 20 Series HMI



Product Overview

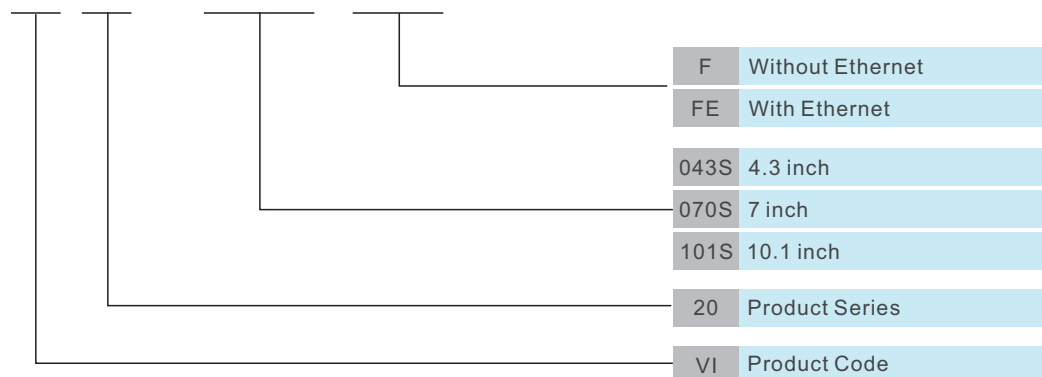
VEICHI industrial HMI VI20 series , a new generation of the IOT HMI with industrial ABS plastic shell and high reliability. The new model comes with a more practical down-cable approach and a better looking. The higher resolution models are also available

With the FLink IOT module, you can upgrade the IOT HMI immediately and enjoy a complete and convenient industrial IOT cloud platform service



Model Description

VI 20 - 101S - F E



Features of the Product

HD, highlight, full viewing angle





Using high-definition, high-brightness display LCD, the maximum viewing angle reaches 170 degrees

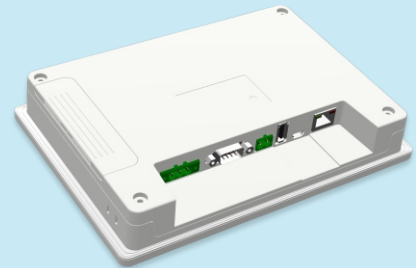
| | | |
|-------|----------|-----------------------|
| 4.3" | 800×480 | 250 cd/m ² |
| 7" | 1024×600 | 350 cd/m ² |
| 10.1" | 1024×600 | 400 cd/m ² |



Support edge computing





Possess powerful embedded operating software, namely edge computing software

-  300+ protocol local resolution
-  VPN and routing functions
-  Data storage function
-  Support MQTT



Support Flink IoT expansion module

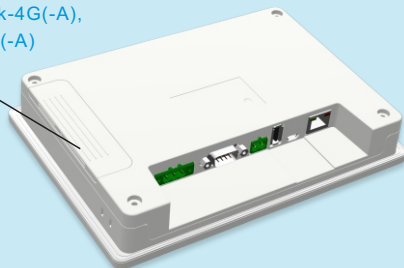
Remote configuration of field device data is possible through Flink

-  PLC remote download
-  Data configuration
-  Historical data query
-  Alarm configuration

Expansion module card slot



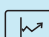

support module:

FLink, FLink-2G(-A), FLink-4G(-A),
FLink-4G(-C), FLink-WiFi(-A)



Support cloud platform Flex Cloud

Powerful SAAS platform based on B/S structure

-  Configuration monitoring
-  Map monitoring
-  Data report
-  Mobile APP

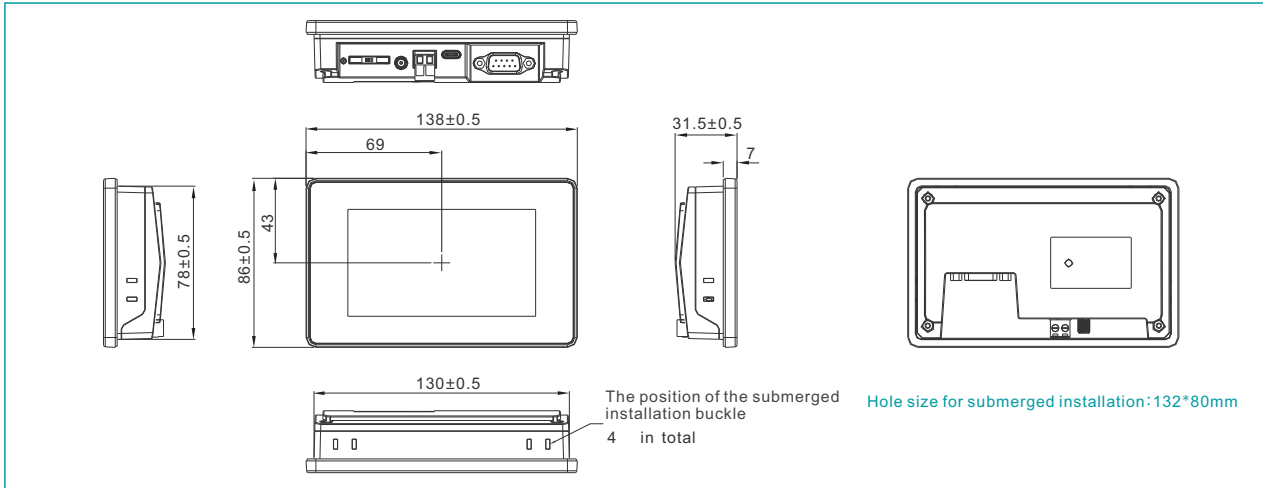


Technical Parameter

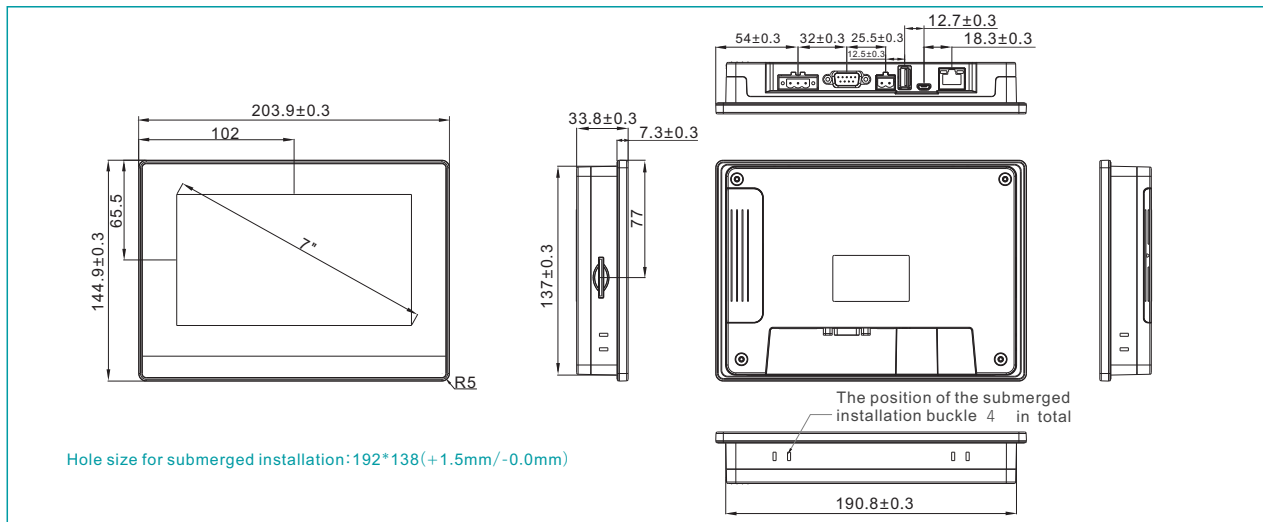
| | Model | VI20-043S-F | VI20-070S-F | VI20-070S-FE | VI20-101S-F | VI20-101S-FE |
|----------------------------|--------------------------------|---|---|--|--|--|
| Hardware parameters | Display screen | 4.3" 16:9 TFT LCD screen | 7" 16:9 TFT LCD screen | | 10.1" 16:9 TFT LCD screen | |
| | Resolution | 800×480 | 1024×600 | | | |
| | Color | 16 bits | 24 bits | | | |
| | Brightness | 250 cd/m ² | 350 cd/m ² | | 400 cd/m ² | |
| | Backlight | LED | | | | |
| | LCD life | 50000 hours | | | | |
| | Touch screen | 4-wire industrial resistive touch screen | | | | |
| | CPU | 720MHz ARM | 600MHz ARM Cortex-A8 | | | |
| | Memory | 64MB RAM+128MB Flash | 128M Flash + 128M DDR3 | | | |
| | RTC | With | Built-in real-time clock | | | |
| | Ethernet | Without | Without | 1 channel 10M/100M adaptive | Without | 1 channel 10M/100M adaptive |
| | USB port | One Type-C OTG interface | One USB Slave 2.0 port; One USB Host 2.0 port | | | |
| | Program download method | USB Slave/U Disk (Need to be equipped with adapter cable) | USB Slave/U Disk | USB Slave/U Disk/Ethernet | USB Slave/U Disk | USB Slave/U Disk/Ethernet |
| | Serial communication interface | COM1 RS232/RS485/RS422 COM3: RS232 | COM1:RS232/RS485/RS422 COM2:RS485 COM3:RS232 | COM1:RS232/RS485/RS422 COM2:RS485 COM3:RS232 | COM1: RS232/RS485/RS422 COM3: RS232 | COM1:RS232/RS485/RS422 COM2:RS485 COM3:RS232 |
| | LCD viewing angle (T/B/L/R) | 80°/80°/80°/80° | 85°/85°/85°/85° | | | |
| Electrical Specifications | Rated power | < 2.5W | < 10W | | | |
| | Rated voltage | DC24V, Workable range DC 9V~28V | | | | |
| | Power protection | With lightning surge protection | | | | |
| | Allow power loss | < 5mS | | | | |
| | CE & RoHS | Comply with EN61000-6-2:2005 ; EN61000-6-4:2007 standard; Lightning surge±1KV ; Group pulse±2KV ; Static contact 4KV ; Air discharge 8KV Comply with RoHS | Comply with EN61000-6-2:2005 EN61000-6-4:2007 standard Comply with RoHS lightning surge±1KV Group pulse±2KV Static contact 4KV, Air discharge 8KV | | | |
| Environmental requirements | Operating temperature | 0~50°C | | | | |
| | Storage temperature | -20~60°C | | | | |
| | Anti-UV | It is forbidden to work in a strong ultraviolet environment (such as direct sunlight) | | | | |
| | Environment humidity | 10~90%RH (No condensation) | | | | |
| | Shock resistance | 10~25Hz (X/Y/Z direction 2G/30 minutes) | | | | |
| | Cooling method | Natural air cooling | | | | |
| Mechanical index | Protection level | The front panel complies with IP65 (installed with flat panel cabinets), and the back shell complies with IP20 | | | | |
| | Mechanical structure | Engineering plastics | | | | |
| | Hole size | 132mm×80mm | 192mm×138mm | | 260mm×202mm | |
| | Overall size | 138mm×86mm×32mm | 204mm×145mm×33.8mm | | 273mm×213mm×36mm | |
| | Total size | About 300g | About 560g | | About 890g | |

Installation Dimension Drawing

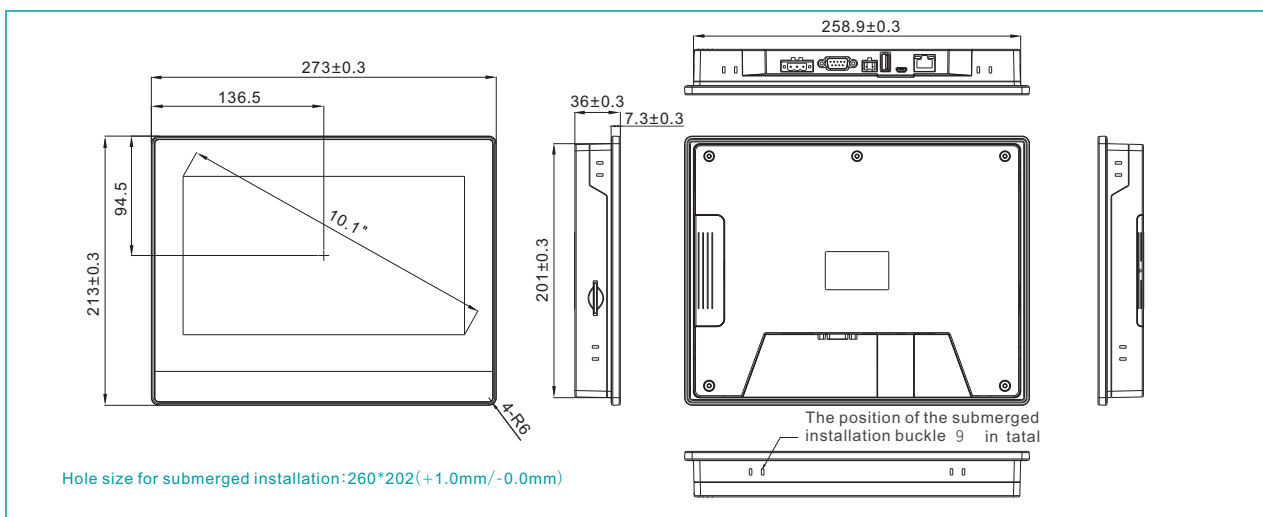
VI20-043S-F dimensional drawings



VI20-070S-F/VI20-070S-FE dimensional drawings



VI20-101S-F/VI20-101S-FE dimensional drawings



VEICHI

Suzhou Veichi Electric Co., Ltd

No.1000 Songjia Road, Guoxiang street, Wuzhong Economic
and Technological Development Zone, Suzhou
Tel:+86- 138 2881 8903
Fax:+86-512-6617 3610

Facebook: <https://www.facebook.com/veichiglobal/>
Whatsapp: +86- 138 2881 8903
<https://www.veichi.org>



Wechat Official Account

®Version:2021 V1.0
Veichi Electric Co., Ltd all rights reserved,
subject to change without notice.